

Street Light Smart Control Box

FEATURES

- Enables real time monitoring and controlling using various devices. (PC, smart phone, tablet, etc)
- Monitors the status of lamps on/off, dimming level, failures, line voltage/current/power.
- Controls lamp on/off, dimming level.
- Supports access to the system through mobile devices. (iOS, Android)
- Supports power line communication.
- Supports LTE (Band1, Band3, Band5, category3) and WCDMA(Band1), GSM.
- Protects the devices inside the box using 10kA rated breaking current breaker.

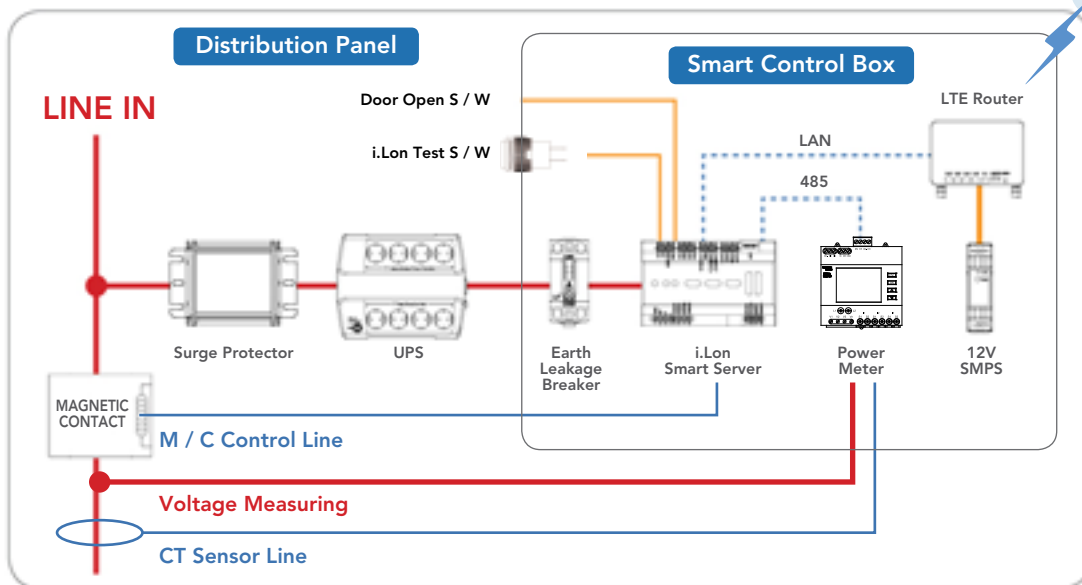


Smart Control Box

COMPOSITION

- i.Lon SmartServer PL
- Power Meter
- LTE Router
- Switching Supply
- Earth Leakage Breaker
- UPS
- Surge Protector

BLOCK DIAGRAM



DEVICES SPECIFICATIONS

Devices	Items	Specifications	
iLon SmartServer	Processor	MIPS32™, 264MHz	
	Channel Type	PL - 20N or PL - 20C power line (PL version)	
	Operating Input Voltage	100 ~ 240 VAC (-6%/+10%), 50/60Hz	
	Digital Inputs	2 optically isolated dry contact inputs, 30V AC / DC	
	Relay Outputs	2 SPST relays rated at 240VAC @10A or 24VDC @ 10A	
	Operating Temperature/Humidity	-40°C ~ 60°C 10% ~ 90% RH @ 60°C	
Power meter PM3255 (Schneider)	Measured voltage input	Direct/VT secondary	50~330VAC (Ph-N), 80~570VAC (Ph-Ph)
		With external VT	VT primary up to 1MVAC
		Frequency range	45 ~ 65Hz
	Measured current input	CT primary	Adjustable from 1A to 32767A
		CT secondary	1A or 5A
		Permissible overload	10 A continuous, 20 A for 10s / hour
	2 solid state relay digital output		5~40VDC 50mA Max, 50 Ohm max output resistance
	1 optical coupler output		5~30VDC 1~15mA, minimum width 50ms
	2 digital inputs		Voltage off 0~5VDC, Voltage on 11~40VDC 24VDC nominal
Operating temperature		-25% ~ +55°C	
LTE Router KMK-P100	LTE standard	3GPP E-UTRA Release 9	
	Throughput	100Mbps(DL) / 50Mbps(UL)@CAT3	
	RF path	1Tx, 2Rx	
Switching Supply DR-15-12	Output	DC Voltage	12V
		Rated current	1.25A
	Input	Voltage range	85 ~ 264VAC / 120 ~ 370VDC
		Frequency range	47 ~ 63Hz
Earth Leakage Breaker 32GRhc 15A	Rated voltage		AC 110 / 220V
	Rated current sensitivity		30mA
	Rated breaking current		1.5kA
UPS BE400-KR	Output	Power capacity	240 watts / 400 VA
		Voltage	220V
	Input	Voltage	220V
		Frequency range	50/60 Hz
		Max current	10 A
Surge protector ASPL9	Nominal voltage, Surge current capacity		1Ø 230VAC, 13kA / Mode

DIMENSIONS

